

## ECOSOFT PINK

Ultra compact water softener system for apartments

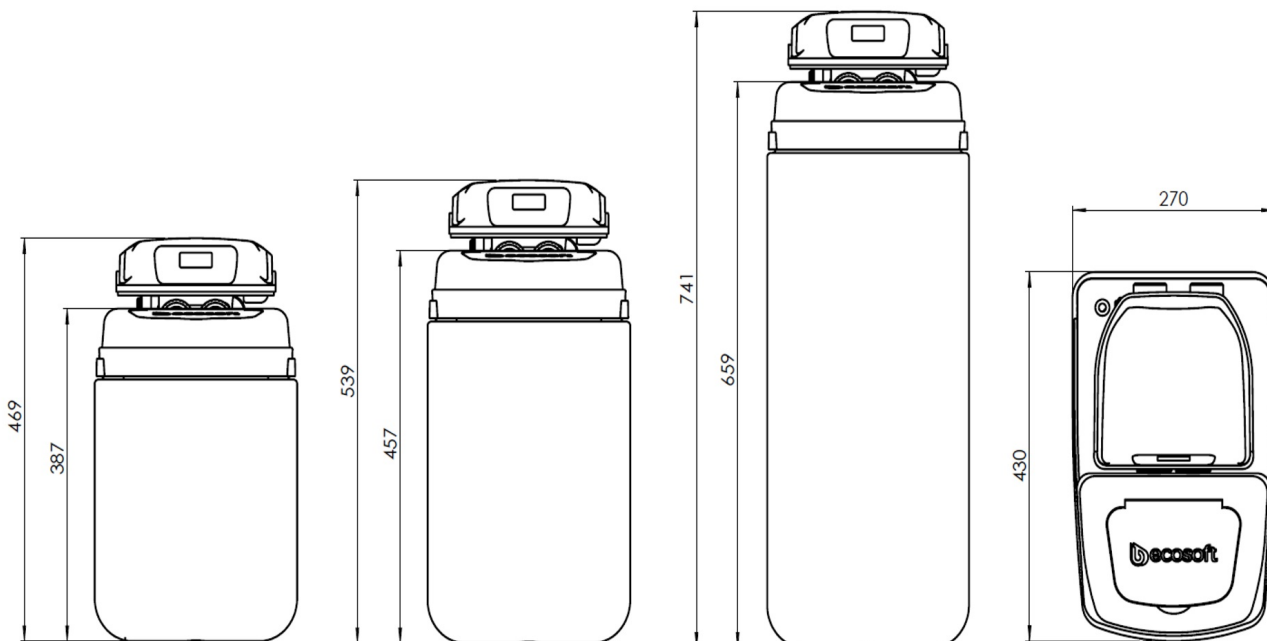
### KEY FEATURES:

- Ultra compact dimension, minimum height 469 mm
- US made Clack valve with diamond-carbon coated disk inside
- No prefiltration needed
- Water hardness adjustment
- Up- flow regeneration for salt saving

### COMPONENTS:

- Pre-adjusted Clack DV
- Cabinet enclosure
- Pressure tank
- Brine well with safety float valve
- Ion-exchange resin

### DIMENSIONS:



### ECOSOFT PINK COMPACT WATER SOFTENERS (ECOLITE)

Code	Description	Media volume, L.
FU1013CABDVUP	Ecosoft Pink 10 compact water softener	10
FU1016CABDVUP	Ecosoft Pink 15 compact water softener	15
FU1024CABDVUP	Ecosoft Pink 20 compact water softener	20

**TECHNICAL SPECIFICATION:**

Parameter	FU1013CABDVUP	FU1016CABDVUP	FU1024CABDVUP
Operating flow rate, m <sup>3</sup> /h	1.2	1.5	1.8
Quantity of media, L	10	15	20
Volume capacity, m <sup>3</sup> @250 mg/L CaCO <sub>3</sub> influent harness	2	3	5
Usage of salt per regeneration <sup>1</sup> , kg	1.0	1.5	2.0
Usage of water per regeneration (= discharge per regeneration), m <sup>3</sup>	0.08	0.1	0.12
Duration of regeneration, minutes		80–110	
Pressure drop in service mode, bar		0.5	
Inlet pressure, bar		2–6	
Electrical requirements		230 V, 50 Hz	
Power consumption, W		30	
Inlet/outlet pipe connections		3/4"	
Dry weight, kg	0	0	0
Overall dimensions, (Width × Depth × Height), cm	270 x 430 x 469	270 x 430 x 539	270 x 430 x 741

**INFLUENT WATER LIMITATIONS:**

Hardness	750 mg/L CaCO <sub>3</sub>
Iron	0.2 mg/L
Manganese	0.05 mg/L
Chemical Oxygen Demand	5 mg/L O <sub>2</sub>
Sediment prefilter rating	100 µm
Temperature of water <sup>2</sup>	+4...+30 °C